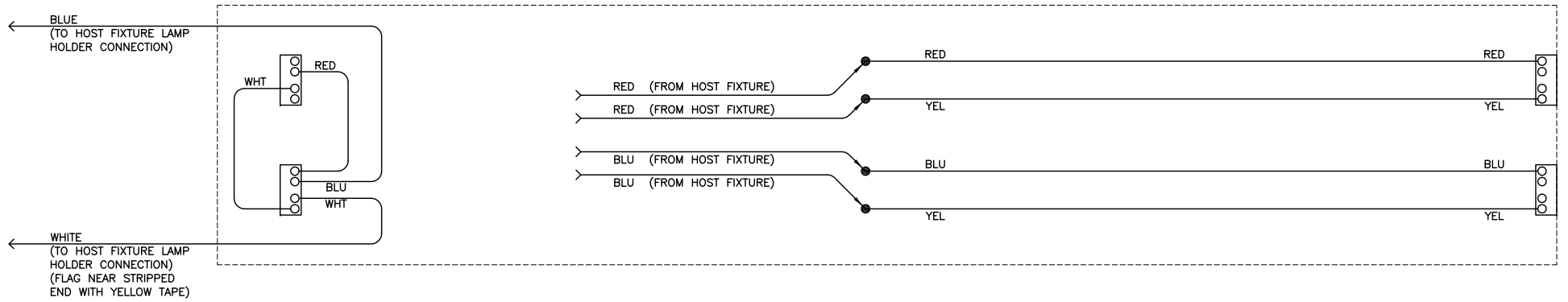
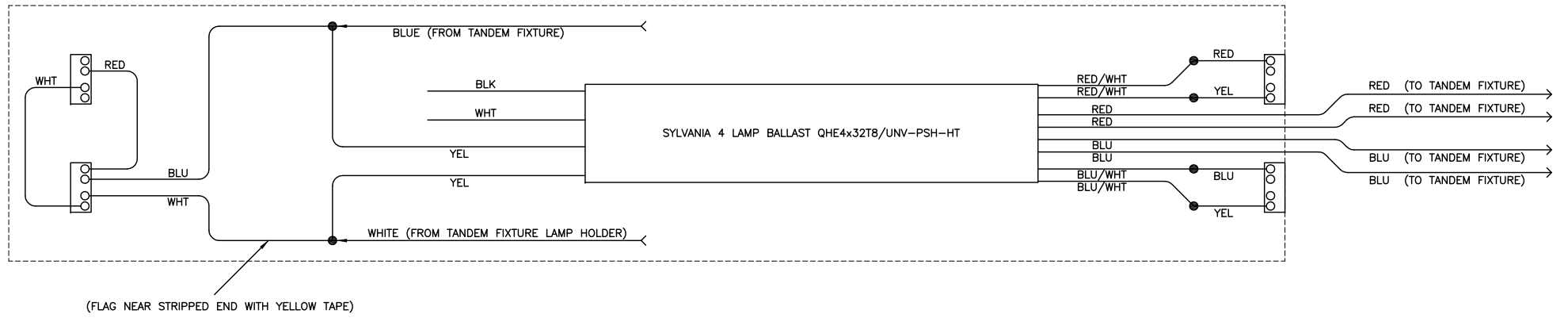


PRE-MOUNTING WIRING DIAGRAM (Option 2)



POST-MOUNTING WIRING DIAGRAM (Option 2)

