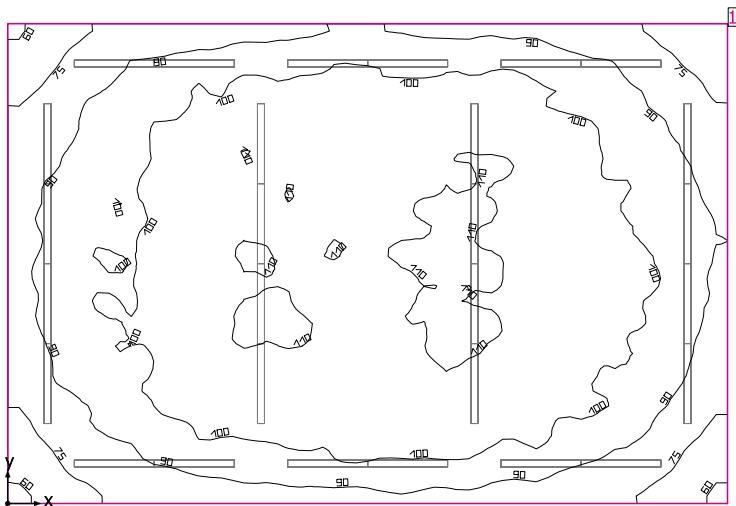


## Room 1



Clearance height: 12.000 ft, Reflection factors: Ceiling 70.0%, Walls 50.0%, Floor 20.0%, Light loss factor: 0.90

### Workplane

Surface	Result	Average (Target)	Min	Max	Mean/Min	Max/Min
1 Workplane (Room 1)	Perpendicular illuminance (adaptive) [fc] Height: 2.500 ft, Wall zone: 0.000 ft	97.5 (≥ 92.9)	57.4	113	1.70	1.96

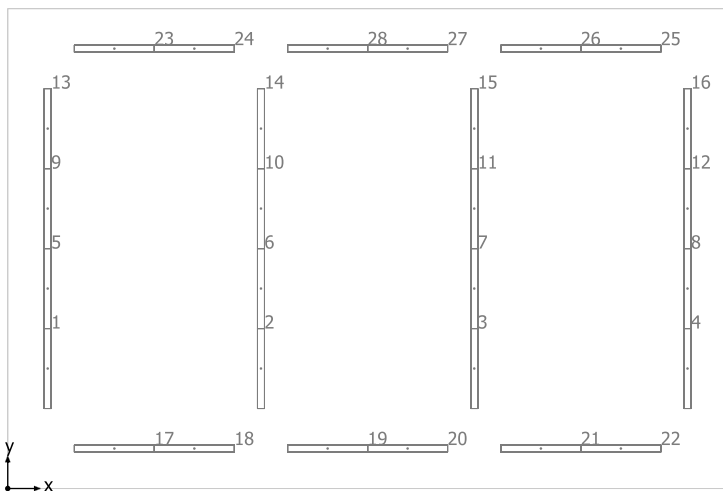
#	Luminaire	Φ(Luminaire) [lm]	Power [W]	Luminous efficacy [lm/W]
28	JAMES INDUSTRY GROUP CO LTD - ZY-T8-18W1200 BINT 5000K 2- LED TUBES	4999	36.0	138.9
Total via all luminaires		139972	1008.0	138.9

Lighting power density: 1.17 W/sq ft = 0.11 W/sq ft/10 fc (Floor area of room 864.02 sq ft)

Consumption: 2250 kWh/a of maximum 2850 kWh/a

The energy consumption quantities do not take into account light scenes and their dimming levels.

## Room 1



### JAMES INDUSTRY GROUP CO LTD ZY-T8-18W1200 BINT 5000K 2-LED TUBES

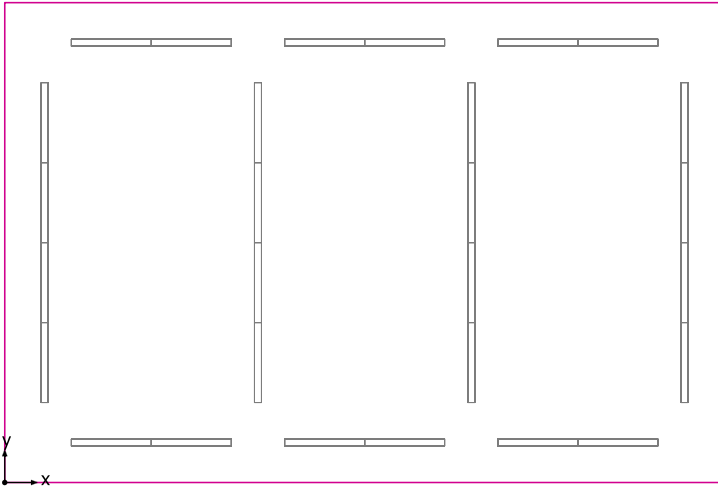
No.	X [ft]	Y [ft]	Mounting height [ft]	Light loss factor
1	2.000	6.000	12.000	0.90
2	12.666	6.000	12.000	0.90
3	23.333	6.000	12.000	0.90
4	34.000	6.000	12.000	0.90
5	2.000	10.000	12.000	0.90
6	12.666	10.000	12.000	0.90
7	23.333	10.000	12.000	0.90
8	34.000	10.000	12.000	0.90
9	2.000	14.000	12.000	0.90
10	12.666	14.000	12.000	0.90
11	23.333	14.000	12.000	0.90
12	34.000	14.000	12.000	0.90
13	2.000	18.000	12.000	0.90
14	12.666	18.000	12.000	0.90
15	23.333	18.000	12.000	0.90
16	34.000	18.000	12.000	0.90
17	5.333	2.000	12.000	0.90
18	9.333	2.000	12.000	0.90
19	16.000	2.000	12.000	0.90
20	20.000	2.000	12.000	0.90
21	26.666	2.000	12.000	0.90
22	30.666	2.000	12.000	0.90
23	5.333	22.000	12.000	0.90
24	9.333	22.000	12.000	0.90
25	30.666	22.000	12.000	0.90
26	26.666	22.000	12.000	0.90

---

No.	X [ft]	Y [ft]	Mounting height [ft]	Light loss factor
27	20.000	22.000	12.000	0.90
28	16.000	22.000	12.000	0.90

---

## Workplane (Room 1) / Perpendicular illuminance (adaptive)



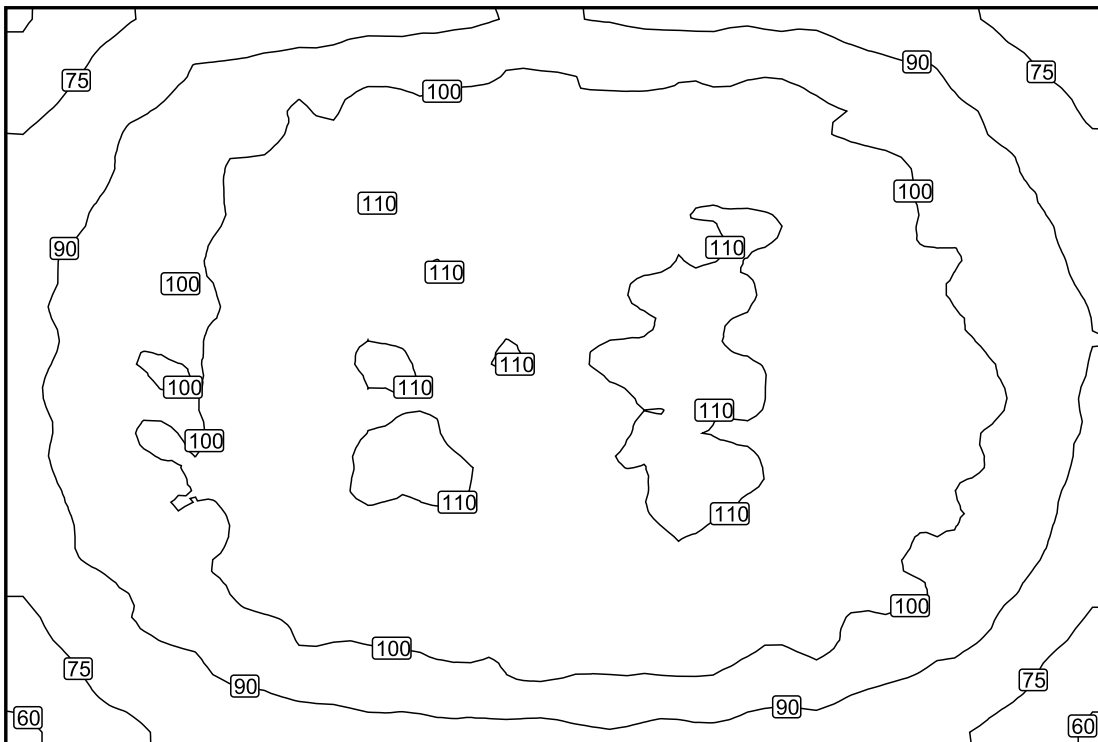
Workplane (Room 1): Perpendicular illuminance (adaptive) (Surface)

Light scene: Light scene 1

Average: 97.5 fc (Target:  $\geq 92.9$  fc), Min: 57.4 fc, Max: 113 fc, Mean/Min: 1.70, Max/Min: 1.96

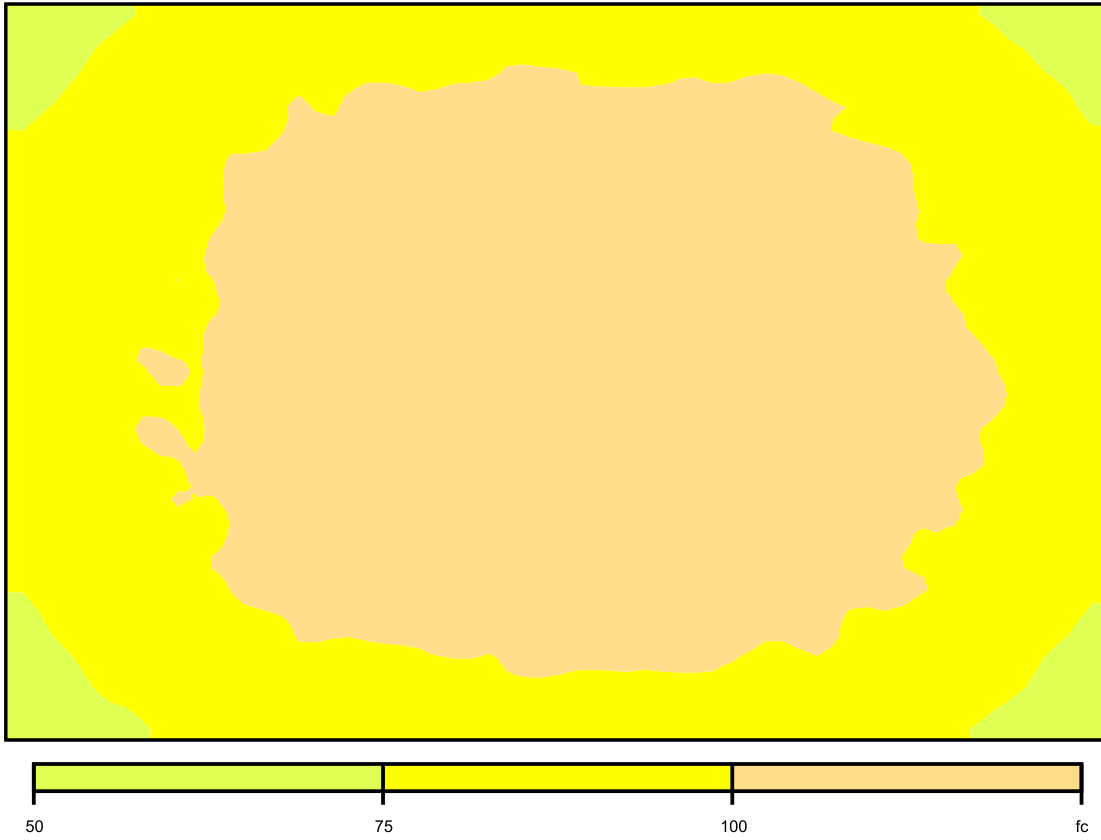
Height: 2.500 ft, Wall zone: 0.000 ft

Isolines [fc]



Scale: 1 : 75

## False colors [fc]



Scale: 1 : 75

Value grid [fc]

+70	+87	+92	+95	+99	+97	+97	+95	+88	+71
+84	+96	+102	+106	+106	+107	+108	+104	+98	+85
+91	+99	+106	+109	+109	+109	+110	+105	+101	+92
+92	+101	+106	(111)	+109	+110	(111)	+106	+101	+94
+90	+99	+104	(111)	+109	+109	(111)	+105	+100	+92
+83	+94	+103	+109	+107	+108	+106	+104	+99	+83
(69)	+83	+92	+94	+98	+97	+96	+93	+86	(69)

Scale: 1 : 75